



भारतीय प्रौद्योगिकी संस्थान (भारतीय खनि विद्यापीठ), धनबाद

धनबाद, झारखण्ड, भारत, पिन-826004

(मानव संसाधन एवं विकास मंत्रालय, भारत सरकार के अधीन एक राष्ट्रीय महत्व का संस्थान)

INDIAN INSTITUTE OF TECHNOLOGY (INDIAN SCHOOL OF MINES), DHANBAD

DHANBAD, JHARKHAND, INDIA, PIN-826004

(An Institute of National Importance under Ministry of H.R.D., Govt. of India)

STORES & PURCHASE SECTION Phone:(0326) 2235678 || Email : purchase@ismdhanbad.ac.in || Website : www.iitism.ac.in

No. M-500110-2017-18

Date: 28 August 2017

Corrigendum

Ref No.: NIT No. M-500110-17-18, Dated: 18th July 2017

Subject: Extension of date for submission of Bids for Supply and Installation of **Bit Wear Index (BWI) Setup – 01 No.**

1.	The date & time for submission of tenders	19.09.2017 at 1:00 P.M.
2.	Date and time of opening of tenders	19.09.2017 at 4.00 P.M.

All terms & conditions remain same.

Deputy Registrar



भारतीय प्रौद्योगिकी संस्थान (भारतीय खनि विद्यापीठ), धनबाद

धनबाद, झारखण्ड, भारत, पिन-826004

(मानव संसाधन एवं विकास मंत्रालय, भारत सरकार के अधीन एक राष्ट्रीय महत्व का संस्थान)

INDIAN INSTITUTE OF TECHNOLOGY (INDIAN SCHOOL OF MINES), DHANBAD

DHANBAD, JHARKHAND, INDIA, PIN-826004

(An Institute of National Importance under Ministry of H.R.D., Govt. of India)

STORES & PURCHASE SECTION Phone:(0326) 2235678 || Email : purchase@ismdhanbad.ac.in || Website : www.iitism.ac.in

No. M-500110-2017-18

Date: 28 August 2017

NOTICE INVITING TENDER

Subject: Supply & Installation of Bit Wear Index (BWI) Setup

Indian Institute of Technology (Indian School of Mines), Dhanbad invites quotations for the following to be supplied and delivered in Mining Department.

S No	Full Description of items/ store	Qty	Delivery
1	Supply & Installation of Bit Wear Index (BWI) Setup (Detailed Specification is given in Annexure – I)	01 No.	At the Earliest /Ex-Stock

Tender Schedule

Particulars	Date & Time
Last date and time for submission of tenders	19.09.2017 18.08.2017 at 1:00 P.M.
Date and time of opening of tenders	19.09.2017 18.08.2017 at 4.00 P.M.

1. You are requested to quote your lowest rates for the supply of above items in the attached format for Financial Bid (Annexure – II)
2. You may send your representative in the office of the undersigned at the scheduled date and time of opening of tender.
3. Tender should be submitted in sealed cover only superscribed with Enquiry No. and due date at the following address only:

The Deputy Registrar (P&S)
Indian Institute of Technology (Indian School of Mines),
Dhanbad – 826 004 Jharkhand



भारतीय प्रौद्योगिकी संस्थान (भारतीय खनि विद्यापीठ), धनबाद

धनबाद, झारखण्ड, भारत, पिन-826004

(मानव संसाधन एवं विकास मंत्रालय, भारत सरकार के अधीन एक राष्ट्रीय महत्व का संस्थान)

INDIAN INSTITUTE OF TECHNOLOGY (INDIAN SCHOOL OF MINES), DHANBAD

DHANBAD, JHARKHAND, INDIA, PIN-826004

(An Institute of National Importance under Ministry of H.R.D., Govt. of India)

STORES & PURCHASE SECTION Phone:(0326) 2235678 || Email : purchase@ismdhanbad.ac.in || Website : www.iitism.ac.in

No. M-500110-2017-18

Date: 28 August 2017

Annexure – I

Technical Specifications

DETAILED SPECIFICATIONS FOR FABRICATION OF BIT WEAR INDEX (BWI) SETUP

(* Please refer to Figure attached for detailed dimensions)

S.No.	ITEMISED SPECIFICATIONS *	QUANTITY	PURPOSE
1	Shaft holding cylinder Outer Diameter: 70 mm	1	To hold the rotating disc
2	Rotating steel disc a. Diameter: 360 mm b. Thickness: 25 mm c. Rim height: 5 mm d. Rim thickness: 5 mm e. Channel Width: 60 mm f. Channel depth: 5 mm	1	Disc to simulate rotation of cutter
3	Tool holder* a. Length: 30 mm b. Width: 25 mm c. Height: 25mm+15mm=40mm	1	To hold the sample tool for testing
4	Tungsten Carbide Cutting Tool a. Vickers Hardness: 1300 b. Length: 30 mm c. Width: 10 mm d. Height: 30 mm e. Tip radius: 15 mm	5	For testing the wear effect of rock/ soil sample
5	Load cylinder a. Weight: 10 kg b. Diameter: 125 mm c. Height: 100 mm	1	To exert the load on the sample tool
6	Hopper Flow rate: 80 g/min	1	To put the rock/soil sample on the vibrating feeder in controlled way. For rock size: <1 mm, soil size: <4 mm
7	Vibrating Feeder a. Length: 250 mm b. Width: 55 mm	1	To put the rock/soil sample on the rotating disc
8	Motor Speed: 20 rpm	1	To rotate the disc with adjustable speed
9	Tolerance: ± 0.5 mm		IN all dimensions
10	Steel Standard		IS 2062:2011/IS 1852-1985/IS808:1989 certified
11	Material Certification		Certification from original manufacturer or equivalent



भारतीय प्रौद्योगिकी संस्थान (भारतीय खनि विद्यापीठ), धनबाद

धनबाद, झारखण्ड, भारत, पिन-826004

(मानव संसाधन एवं विकास मंत्रालय, भारत सरकार के अधीन एक राष्ट्रीय महत्व का संस्थान)

INDIAN INSTITUTE OF TECHNOLOGY (INDIAN SCHOOL OF MINES), DHANBAD

DHANBAD, JHARKHAND, INDIA, PIN-826004

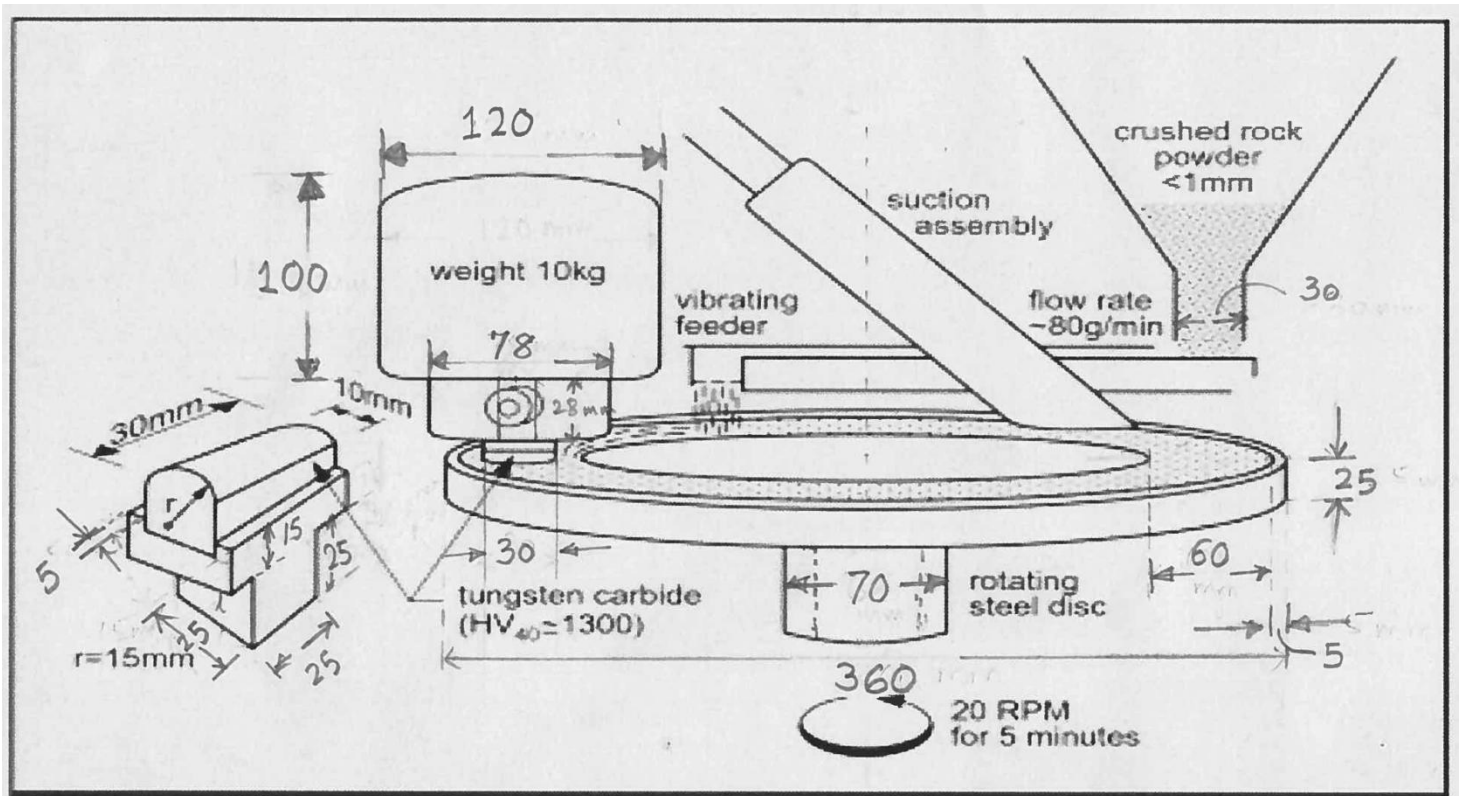
(An Institute of National Importance under Ministry of H.R.D., Govt. of India)

STORES & PURCHASE SECTION Phone:(0326) 2235678 || Email : purchase@ismdhanbad.ac.in || Website : www.iitism.ac.in

No. M-500110-2017-18

Date: 28 August 2017

Bit Wear Index Setup (Annexure I)



Other Terms and Conditions :-

1. Pre-delivery inspection: To be informed to IIT(ISM) before dispatch
2. Documents: Operation manual, Material certification, calibration charts for the Sensors, tool kits, training to personnel, delivery memo, consignment note, TC, GC, Transport copy of invoice: Supplier scope
3. Previous fabrication experience for similar type of works with type of items supplied alongwith name of the organization.



भारतीय प्रौद्योगिकी संस्थान (भारतीय खनि विद्यापीठ), धनबाद

धनबाद, झारखण्ड, भारत, पिन-826004

(मानव संसाधन एवं विकास मंत्रालय, भारत सरकार के अधीन एक राष्ट्रीय महत्व का संस्थान)

INDIAN INSTITUTE OF TECHNOLOGY (INDIAN SCHOOL OF MINES), DHANBAD

DHANBAD, JHARKHAND, INDIA, PIN-826004

(An Institute of National Importance under Ministry of H.R.D., Govt. of India)

STORES & PURCHASE SECTION Phone:(0326) 2235678 || Email : purchase@ismdhanbad.ac.in || Website : www.iitism.ac.in

No. M-500110-2017-18

Date: 28 August 2017

Terms & Conditions

- 1) The rates should be quoted for each item separately.
- 2) Conditional offer will not be accepted.
- 3) IIT (ISM) does not issue any Form 'C' or 'D' towards sales tax concessional rate. Hence, full rate of sales tax/VAT, GST applicable should be quoted.
- 4) **Educational discount**, if any, should be clearly mentioned.
- 5) You are requested to submit your quotation strictly as per the specifications mentioned in the NIT.
- 6) Your tender must be valid for **minimum 90 days** from the date of opening of tender.
- 7) Please mention warranty/ guarantee in your offer clearly. Material/ equipment to be supplied must have minimum warranty/guarantee of **24 months**.
- 8) *Each page in the bid document must be numbered properly* and duly signed & sealed by the bidder on every page of the bid.
- 9) **The items/ materials shall be required to be delivered at Mining Department/ Section through Purchase & Store Section, IIT (ISM) Dhanbad** at the risk and cost of the tenderer.
- 10) Unloading and installation shall be the complete responsibility of the supplier.
- 11) The stores are required to be delivered within 60 days. Late delivery may not be accepted.
- 12) The items offered should be of good quality confirming to BIS standards, wherever applicable.
- 13) **Advance payment is not admissible**. Payment shall normally be made within 4-6 weeks subject to receipt and acceptance & installation (as per Purchase Order Terms) of the ordered materials/items.
- 14) In the event date on which the tender is opened for acceptance is declared to be a holiday, the tenders shall be deemed to remain open for acceptance till the next working day.
- 15) Please send your offer by Regd. Post/ Speed Post/ Courier along with Courier receipt. Tender/ quotation will be received during IIT (ISM) working hours only (i.e. Monday to Friday). *Late or delayed tenders shall be summarily rejected*.
- 16) Any other information that you may like to obtain, you are free to contact IIT (ISM) before submission of tender.
- 17) IIT (ISM) reserves the right to accept and/or to reject any/ all tenders without assigning any reason.

Deputy Registrar



भारतीय प्रौद्योगिकी संस्थान (भारतीय खनि विद्यापीठ), धनबाद

धनबाद, झारखण्ड, भारत, पिन-826004

(मानव संसाधन एवं विकास मंत्रालय, भारत सरकार के अधीन एक राष्ट्रीय महत्व का संस्थान)

INDIAN INSTITUTE OF TECHNOLOGY (INDIAN SCHOOL OF MINES), DHANBAD

DHANBAD, JHARKHAND, INDIA, PIN-826004

(An Institute of National Importance under Ministry of H.R.D., Govt. of India)

STORES & PURCHASE SECTION Phone:(0326) 2235678 || Email : purchase@ismdhanbad.ac.in || Website : www.iitism.ac.in

No. M-500110-2017-18

Date: 28 August 2017

Annexure - II

Format for Financial Bid

NIT No.: M-500110-2017-18

Date: 28 August 2017

Bidders Ref: No.

Date:

GSTIN:

Subject: Supply & Installation of Bit Wear Index (BWI) Setup

Sl. No.	Full Description of Items (With HSN Code/SAC Code)	Qty.	Rate	Amount
			Packing & Forwarding (if any)	
			Total	
			GST (if any)	
			Freight (if any)	
			Installation (if any)	
Amount should be in figure as well as word			Grand Total	

Note:

- 1) All the details must be provided as per prescribed format only
- 2) Prices quoted by the bidders should include all local taxes, VAT, service tax, GST, HSN Code, SAC Code, levies, transportation cost and insurance costs etc. if any
- 3) All the rates must be quoted in Indian Rupees.